

# dyson airblade

The fastest, most hygienic hand dryers.

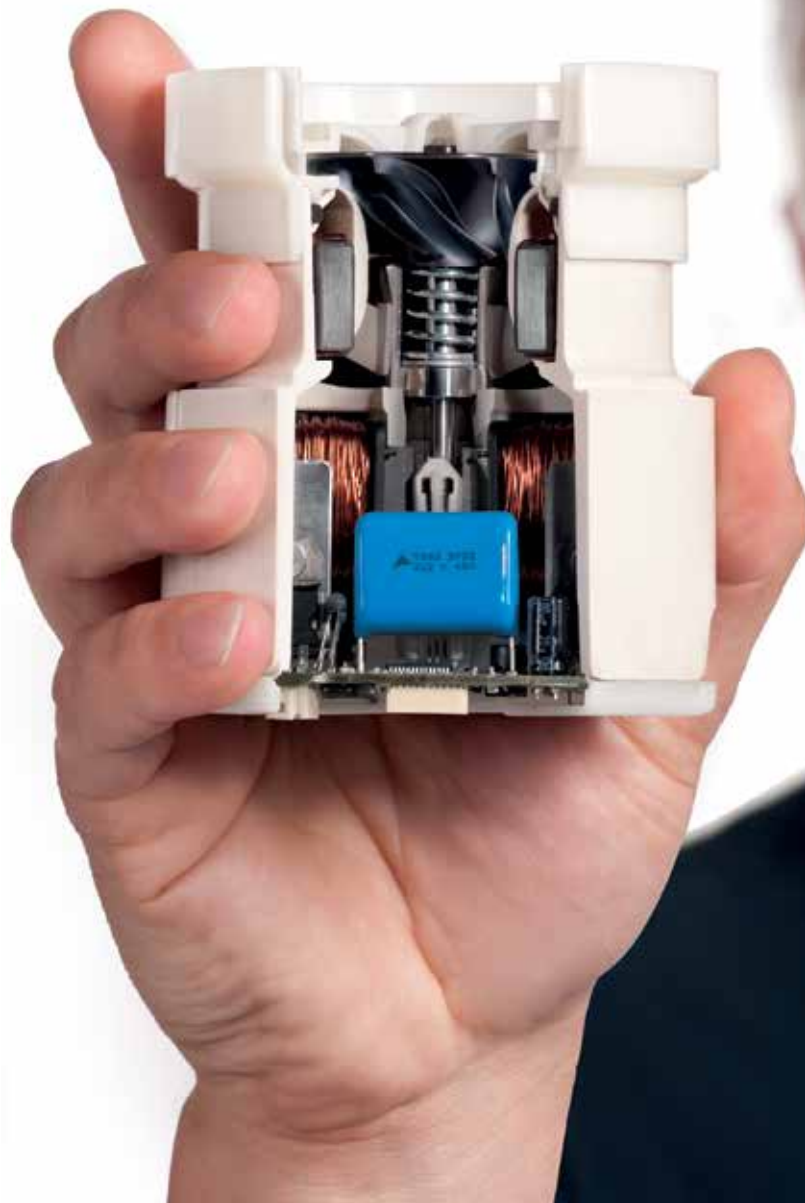


“It’s been seven years in the making but we’ve now achieved something quite revolutionary in motor design – one of the world’s smallest fully-integrated 1400W motors.

It was just the starting point for our latest hand drying technology.”

*James Myson*

Inventor



Powered by the  
Dyson digital motor V4

dyson airblade<sup>Mk2</sup>



Concentrated Airblade™  
hand drying technology

dyson airblade V



Airblade™ hand drying  
technology in a tap

dyson airblade tap



**43 sec**



**12 sec**



**12 sec**



**14 sec**

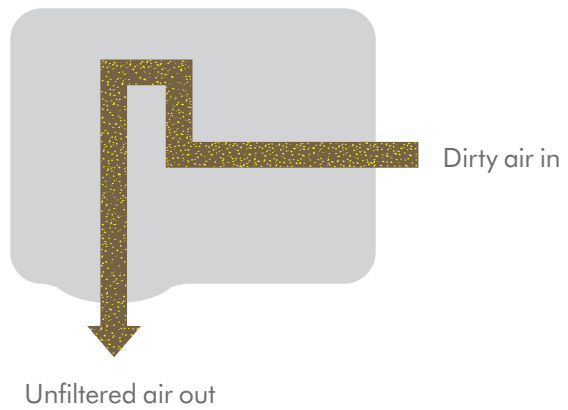


**Most other hand dryers are too slow**

Testing based on NSF Protocol P335 shows that most other hand dryers are much slower than they claim. Many people give up when using a slow hand dryer. But damp hands can spread up to 1,000 times more bacteria than dry hands.

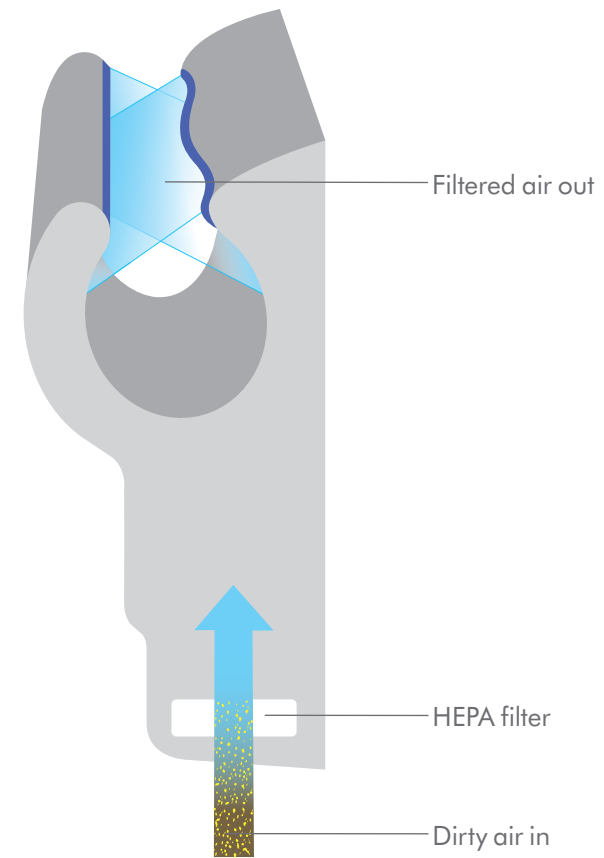
**Dyson hand dryers are the fastest**

Testing based on NSF Protocol P335, proves that Dyson Airblade™ hand dryers are the fastest. Every second, up to 28 litres of air are forced through apertures up to 0.8mm wide. The result – 675km/h sheets of air that scrape water from hands, drying them quickly and hygienically.



**Most other hand dryers are unhygienic**

They don't filter bacteria from the restroom air. They suck in dirty air then blow it back onto hands.



**The most hygienic hand dryers**

The Dyson Airblade™ hand dryers use HEPA filters removing 99.97% of bacteria at 0.3 microns from the air used to dry hands. So hands are dried using cleaner air, not dirty air.

**\$1,460**

per year



**\$157**

per year



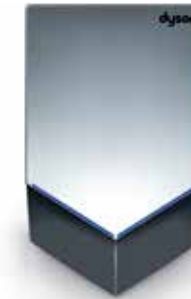
**\$40**

per year



**\$43**

per year



**\$48**

per year



**Most other methods of hand drying are expensive to run**

Paper towels need restocking and disposal. Most other hand dryers are slow so they're energy-hungry.

**Lowest running costs**

The Dyson Airblade™ hand dryers cost up to 69% less to run than other hand dryers per year, and up to 97% less than paper towels.<sup>1</sup>

<sup>1</sup> For calculations visit [www.dysonairblade.ca/calcs](http://www.dysonairblade.ca/calcs).



**17.8g**  
per dry



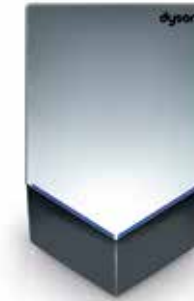
**15.7g**  
per dry



**5.2g**  
per dry



**5.3g**  
per dry



**5.8g**  
per dry



**High impact on the environment**  
The Dyson Airblade™ hand dryers produce up to 73% less CO2 than some other hand dryers and up to 69% less than recycled paper towels.<sup>1</sup>

**Low impact on the environment**  
The Dyson Airblade™ hand dryers have a lower environmental impact across measures including carbon emissions and energy consumption.<sup>1</sup>

<sup>1</sup> Based on LCA results of Dyson Airblade™ hand dryer with method developed in conjunction with Carbon Trust, and comparable results from T. Montalbo, J. Gregory, R. Kirchain. Life Cycle Assessment of Hand Drying Systems. A Dyson commissioned study 2011. Data taken from U.S. environmental statistics including electricity grid mix and recycling practices and relating to models AB02 and AB04.

## The problem with paper towels

### Blockages

Paper towels can clog plumbing systems.

### Overflowing trash cans

Used towels can end up on the floor of busy restrooms.

### Empty dispensers

Dispensers can be left empty leaving no way to dry hands.

### High operating costs

They need restocking and disposal.

### Wasteful

Used paper towels are rarely recycled, so they end up in landfills or are incinerated.

### Create mess

Paper towels can be discarded without care and can create a negative impression of restroom cleanliness.



# dyson airblade<sup>Mk2</sup>

Powered by the  
Dyson digital motor V4  
Airblade™ technology combined  
with the Dyson digital motor V4  
creates high speed sheets of air  
that scrape water from both sides  
of hands simultaneously, drying  
hands in just 12 seconds.



The Dyson digital motor V4

## The most hygienic hand dryer

The Dyson Airblade Mk2 hand dryer dries hands in just 12 seconds. It's the fastest hand dryer. It also has touch-free operation, uses a HEPA filter and has a lifetime antimicrobial coating to protect the product.

Approved for use in food environments by HACCP International.



## Test. Test. Test.

The Dyson Airblade Mk2 hand dryer is engineered to last. It has been repeatedly tested for durability and resilience to physical and chemical abuse. Dyson Airblade Mk2 hand dryers have also been exposed to real-life environments to ensure that they can withstand the pressures of high usage.

With strong construction and robust materials the Dyson Airblade Mk2 hand dryer is suitable for high-traffic, high-usage locations where vandalism can be an issue.

And because it uses 675km/h sheets of filtered air to dry hands, there is no heating element prone to wear and failure.



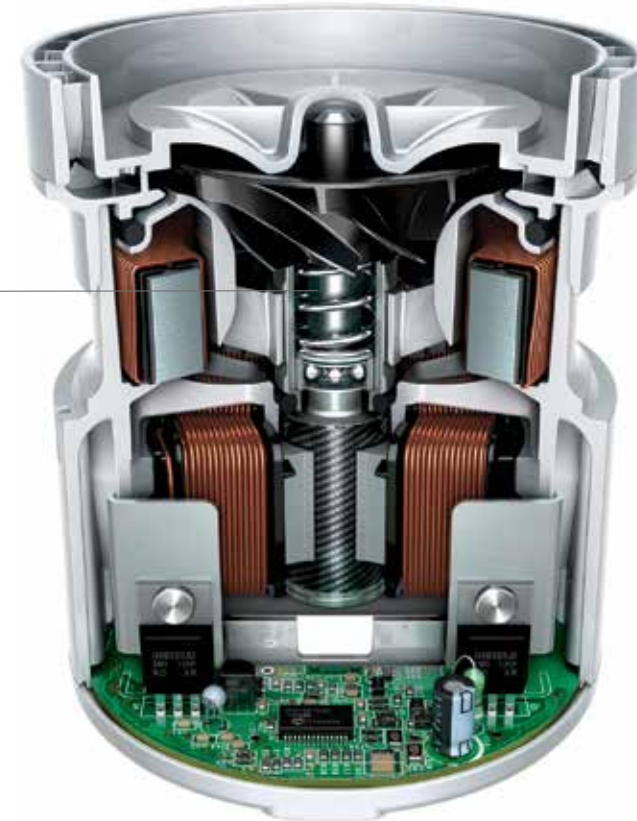
# dyson airblade V



## Concentrated, not compromised

Dyson engineers have developed one of the world's smallest 1400W motors, enabling them to build a hand dryer that protrudes just four inches (101.6mm) from the wall.

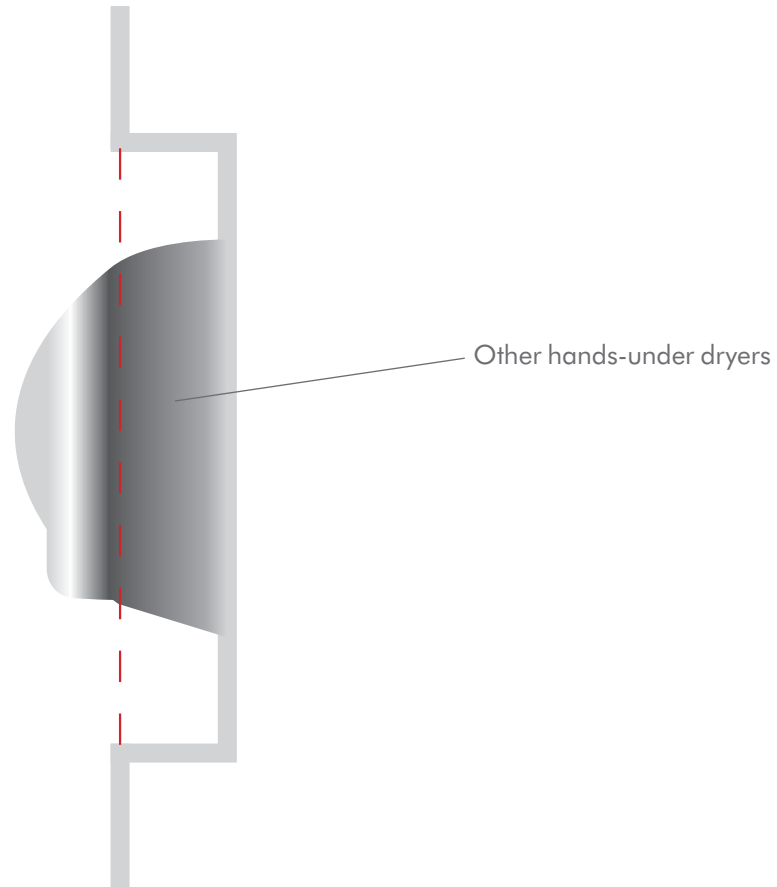
It dries hands hygienically, in 12 seconds.



Actual size

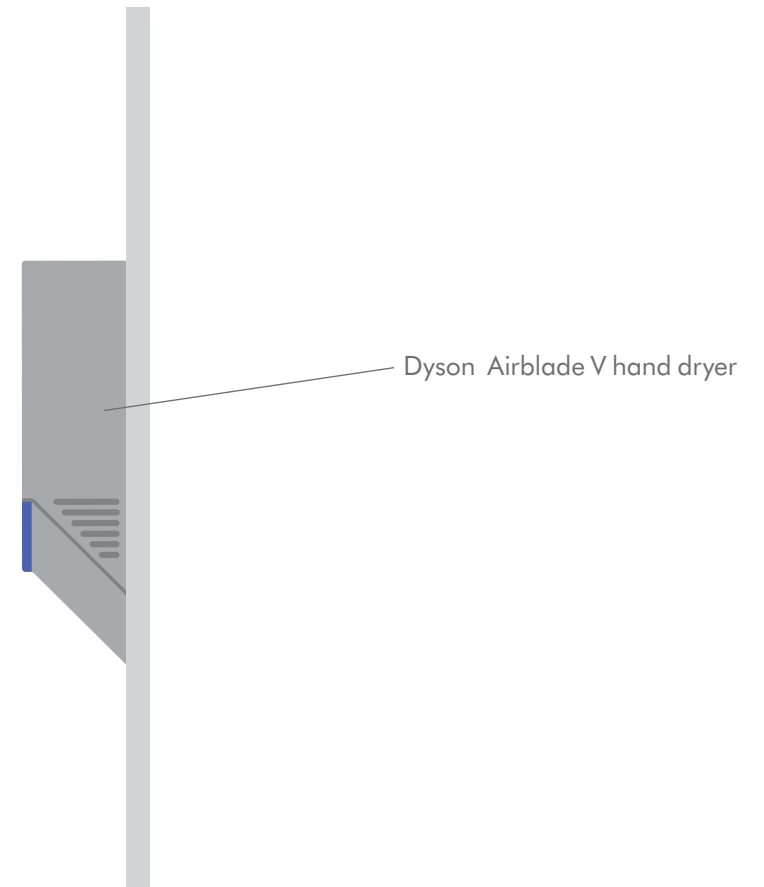
## The Dyson digital motor V4

The impeller spins 92,000 times a minute –generating enough power to draw in up to 28 liters of air per second. With fully-integrated mechanical, electrical and aerodynamic systems, it's a high efficiency, power dense package with a diameter of just over three inches (76.2mm).



### **In the wall**

Because of bulky motors, other hand dryers may protrude too far from the wall to comply with the Americans with Disabilities Act. Facilities may have to recess them into the wall, which can be costly.



### **On the wall**

The Dyson Airblade V hand dryer is just four inches (101.6mm) deep, so it complies with the Americans with Disabilities Act. It can be installed without additional recessing costs.

# dyson airblade tap

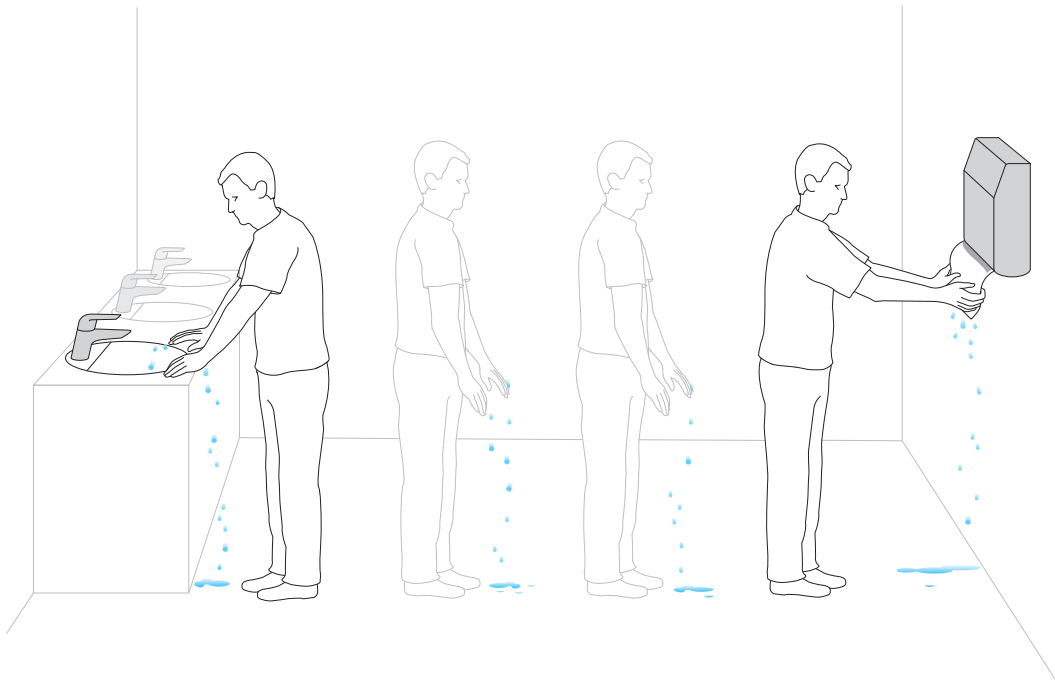
## Wash and dry hands at the sink

With Airblade™ technology in a tap, hands can be dried at the sink in 14 seconds. No need to move to a separate drying area.

## How it works

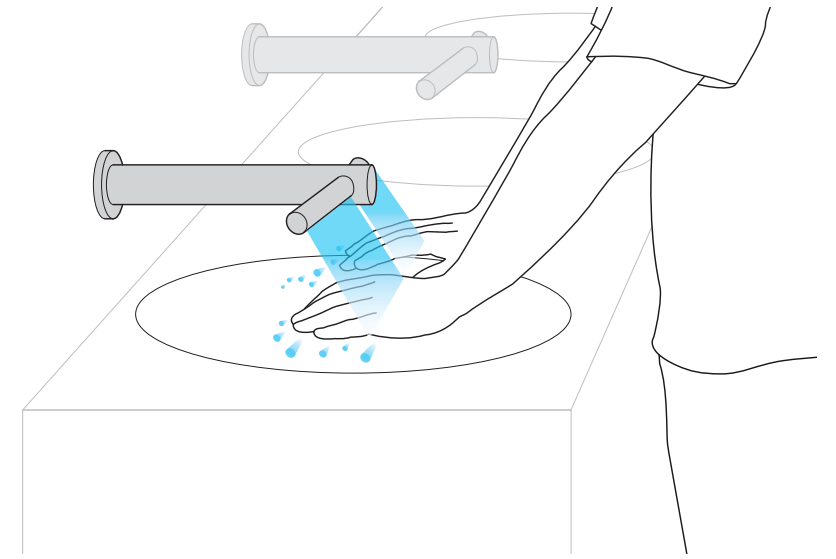
Both water and air are sensor operated so there are no taps to turn or buttons to touch. Intelligent infrared sensors emit light to pinpoint hand positions. Computer circuitry coordinates the information and initiates the appropriate response of water or air without long delays. It's been tested for 365,000 cycles, and is mains powered, so there are no batteries to run out.





### **Water on the floor**

Moving to a separate hand drying area with wet hands means water can be dripped on the floor. This can create problems in the restroom.



### **Water in the sink**

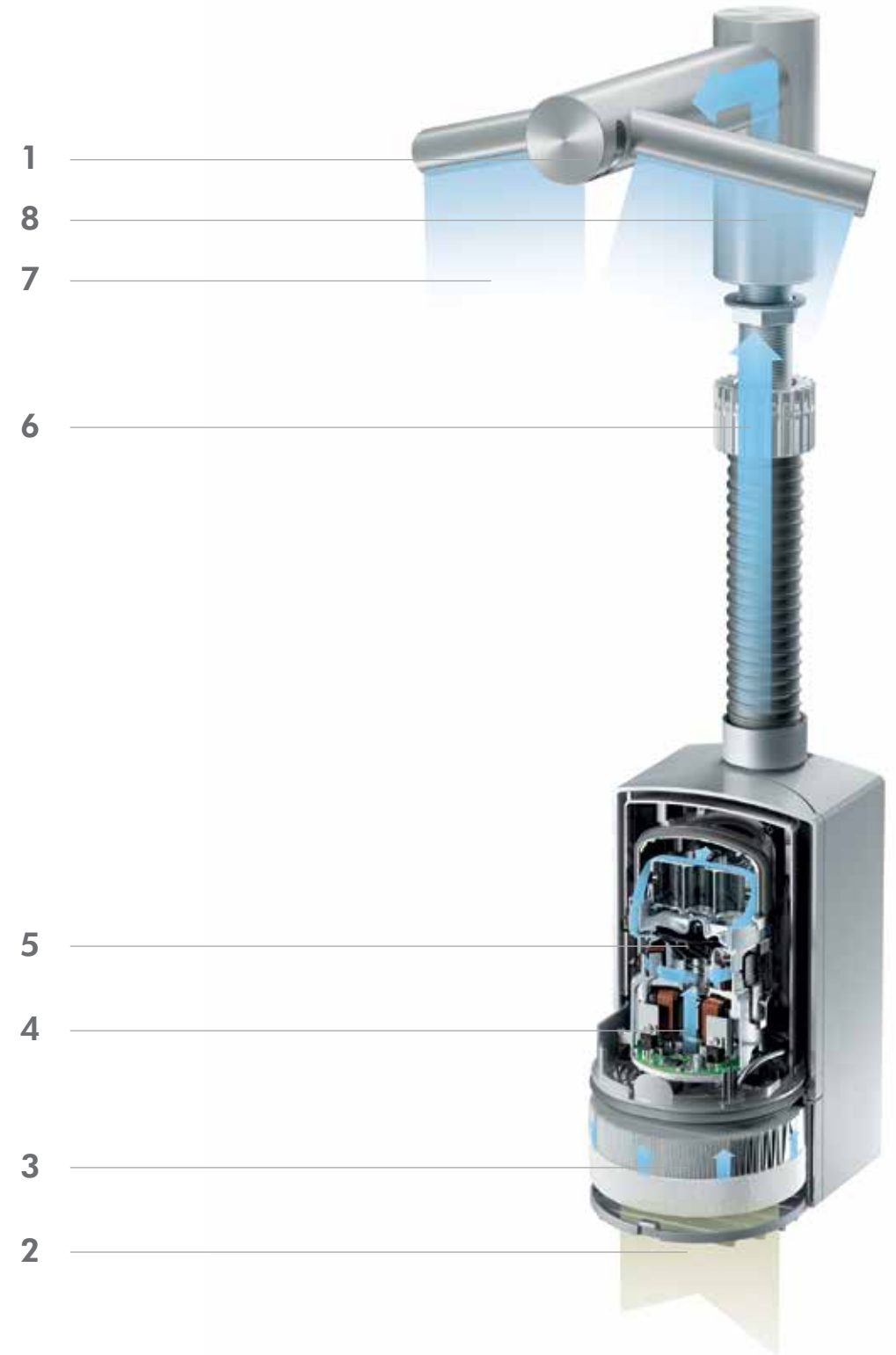
With the Dyson Airblade Tap hand dryer water isn't dripped on the floor because you don't need to leave the sink with wet hands.



## How it works

- 1 Hands placed under sensors – touch free start.
- 2 Dirty restroom air is sucked in by the Dyson digital motor V4.
- 3 It passes through a HEPA filter, removing 99.97% of the bacteria at 0.3 microns from the air used to dry hands.
- 4 The filtered air passes over the electronics, cooling them.
- 5 The air then reaches the motor, which channels it up and through the machine.
- 6 Air passes into the air hose.
- 7 It's then forced through apertures – creating sheets of air traveling at 675km/h.
- 8 The sheets of air literally scrape water from hands simultaneously.

Hands are dried hygienically in 14 seconds.



# dyson airblade Mk2

## AB 06 Aluminum

Suits all restrooms, particularly recommended for high traffic areas or where vandalism is a concern.



Silver

## Powered by the latest Dyson digital motor

### 12 second dry time

Sheets of air travelling at 675km/h scrape water from the front and back of hands, simultaneously.

### The most hygienic hand dryer

A HEPA filter removes 99.97% of bacteria at 0.3 microns from the air used to dry hands.

### Costs less to run<sup>1</sup>

Dries 18 pairs of hands for the price of a single paper towel.

### NSF-approved

No other hand dryers meet every part of NSF Protocol P335.



### Approved by HACCP International

Hygienically safe for use in the food and beverage industry.



### Small carbon footprint<sup>2</sup>

Produces up to 67% less CO<sub>2</sub> per dry than recycled paper towels and up to 71% less than some other warm air hand dryers.

### Touch-free operation

Infrared sensors operate air.

### Antimicrobial coating

Sealed casing infused with antimicrobial additives to protect the product.

### Tough and durable

Robust, vandal-proof design.

### 5 year warranty

5 year parts and 5 year limited labour warranty

<sup>1</sup> For calculations visit [www.dysonairblade.ca/calcs](http://www.dysonairblade.ca/calcs).

<sup>2</sup> Based on LCA results of Dyson Airblade™ hand dryers derived by Dyson using method developed in conjunction with Carbon Trust, and comparable results from T. Montalbo, J. Gregory, R. Kirchain. Life Cycle Assessment of Hand Drying Systems, a Dyson commissioned study 2011. Data taken from U.S. environmental statistics including electricity grid mix and recycling practices and relating to models AB02 and AB04.

# dyson airblade V

## AB 12

Suitable for smaller restrooms or tighter spaces.



Sprayed nickel



White

## Concentrated Airblade™ hand drying technology

### Slim profile

Protrudes just four inches from the wall. No recessing required. ADA compliant.

### 12 second dry time

Sheets of air travelling at over 675km/h scrape water from hands like a windshield wiper.

### The most hygienic hand dryer

A HEPA filter removes 99.97% of bacteria at 0.3 microns from the air used to dry hands.

### Costs less to run<sup>1</sup>

Dries 17 pairs of hands for the price of a single paper towel.

### NSF-approved

No other hand dryers meet every part of NSF Protocol P335.



### Small carbon footprint<sup>2</sup>

Produces up to 66% less CO<sub>2</sub> per dry than recycled paper towels and up to 70% less than some other warm air hand dryers.

### 60% smaller

The same drying performance as the original Dyson Airblade™ hand dryer but 60% smaller.

### Dries each hand separately

V-configuration separates hands, drying them quickly and evenly.

### Touch-free operation

Capacitive sensors activate air.

### Antimicrobial coating

Sealed casing infused with antimicrobial additives to protect the product.

### Easy to service

Safe electrical disconnect.

### Quick to clean

Small surface area. Smooth single-piece fascia with CNC-machined air slots.

### 5 year warranty

5 year parts and 5 year limited labour warranty

<sup>1</sup> For calculations visit [www.dysonairblade.ca/calcs](http://www.dysonairblade.ca/calcs).

<sup>2</sup> Based on LCA results of Dyson Airblade™ hand dryers derived by Dyson using method developed in conjunction with Carbon Trust, and comparable results from T. Montalbo, J. Gregory, R. Kirchain. Life Cycle Assessment of Hand Drying Systems, a Dyson commissioned study 2011. Data taken from U.S. environmental statistics including electricity grid mix and recycling practices and relating to models AB02 and AB04.

# dyson airblade tap

**AB  
09** Short

Suitable for minimalistic restrooms, new or fully refurbished.



**AB  
10** Long



**AB  
11** Wall



Visit [www.dysonairblade.ca/tcad](http://www.dysonairblade.ca/tcad) to download CAD drawings and see technical data

## Airblade™ hand drying technology in a tap

### Wash and dry hands at the sink

Water and air from the tap.

### 14 second dry time

Sheets of air travelling at over 675km/h scrape water from hands like a windshield wiper.

### The most hygienic hand dryer

A HEPA filter removes 99.97% of bacteria at 0.3 microns from the air used to dry hands.

### Costs less to run

Dries 15 pairs of hands for the price of a single paper towel.<sup>1</sup>

### Small carbon footprint<sup>2</sup>

Produces up to 63% less CO<sub>2</sub> per dry than recycled paper towels and up to 67% less than some other warm air hand dryers.

### No water on the floor

There's no need to leave the sink to dry hands, so water isn't dripped on to the floor.

### Saves space

No separate hand drying area needed.

### Touch-free operation

Intelligent infrared sensors activate water and air.

### Saves water

Controlled water flow rate and sensor operation can help save water.

### Easy to service

Quick to disconnect motor bucket and filter.

### Quick to clean

Smooth stainless steel outer, wipes down directly over the sink – no separate hand dryers to clean.

### 5 year warranty

5 year parts and 5 year limited labour warranty

<sup>1</sup> For calculations visit [www.dysonairblade.ca/calcs](http://www.dysonairblade.ca/calcs).

<sup>2</sup> Based on LCA results of Dyson Airblade™ hand dryers derived by Dyson using method developed in conjunction with Carbon Trust, and comparable results from T. Montalbo, J.Gregory, R.Kirchain. Life Cycle Assessment of Hand Drying Systems, a Dyson commissioned study 2011. Data taken from U.S. environmental statistics including electricity grid mix and recycling practices and relating to models AB02 and AB04.

# dyson airblade

**AB  
04**

AB04 is made from a tough, ABS polycarbonate for regular restrooms.



Grey



White

## The original Dyson Airblade™ hand dryer.

### Fast dry time

It dries hands in 12 seconds – scraping water from the front and back of hands, simultaneously.

### The most hygienic hand dryer

A HEPA filter removes 99.97% of bacteria at 0.3 microns from the air used to dry hands.

### Costs less to run<sup>1</sup>

Dries 19 pairs of hands for the price of a single paper towel.<sup>1</sup>

### NSF-approved

No other hand dryers meet every part of NSF Protocol P335.



### Approved by HACCP International

Hygienically safe for use in the food and beverage industry.



### Small carbon footprint<sup>2</sup>

Produces up to 69% less CO<sub>2</sub> per dry than recycled paper towels and up to 73% less than some other warm air hand dryers.

### Touch-free operation

Infrared sensors operate air.

### Antimicrobial coating

Sealed casing infused with antimicrobial additives to protect the product.

### Tough and durable

Robust, vandal-proof design.

### 5 year warranty

5 year parts and 5 year limited labour warranty

<sup>1</sup> For calculations visit [www.dysonairblade.ca/calcs](http://www.dysonairblade.ca/calcs).

<sup>2</sup> Based on LCA results of Dyson Airblade™ hand dryer with method developed in conjunction with Carbon Trust, and comparable results from T. Montalbo, J.Gregory, R.Kirchain. Life Cycle Assessment of Hand Drying Systems. A Dyson commissioned study 2011. Data taken from U.S. environmental statistics including electricity grid mix and recycling practices and relating to models AB02 and AB04.

# dyson airblade

The fastest, most hygienic hand dryers.

To contact the Dyson sales team or find your local Business Development Executive:

Call:

**1-877-397-6622**

Email:

**commercial.sales@dyson.com**

Visit:

**www.dysonairblade.ca**



TESTED. CERTIFIED. HYGIENIC.

Applies to Dyson Airblade Mk2, Dyson Airblade V and AB02 and AB04.



Applies to all Dyson Airblade™ hand dryers including AB02 and AB04.



"HACCP International certifies the Dyson Airblade™ hand dryer as appropriate for use in food facilities that operate in accordance with an HACCP based Food Safety Programme. The only hand dryer that's HACCP approved."

Applies to Dyson Airblade Mk2 and AB02.

Printed on 100% recycled paper using soy-based inks.

The Carbon Reduction Label is the registered trade mark of the Carbon Trust. Licensed by Dyson.